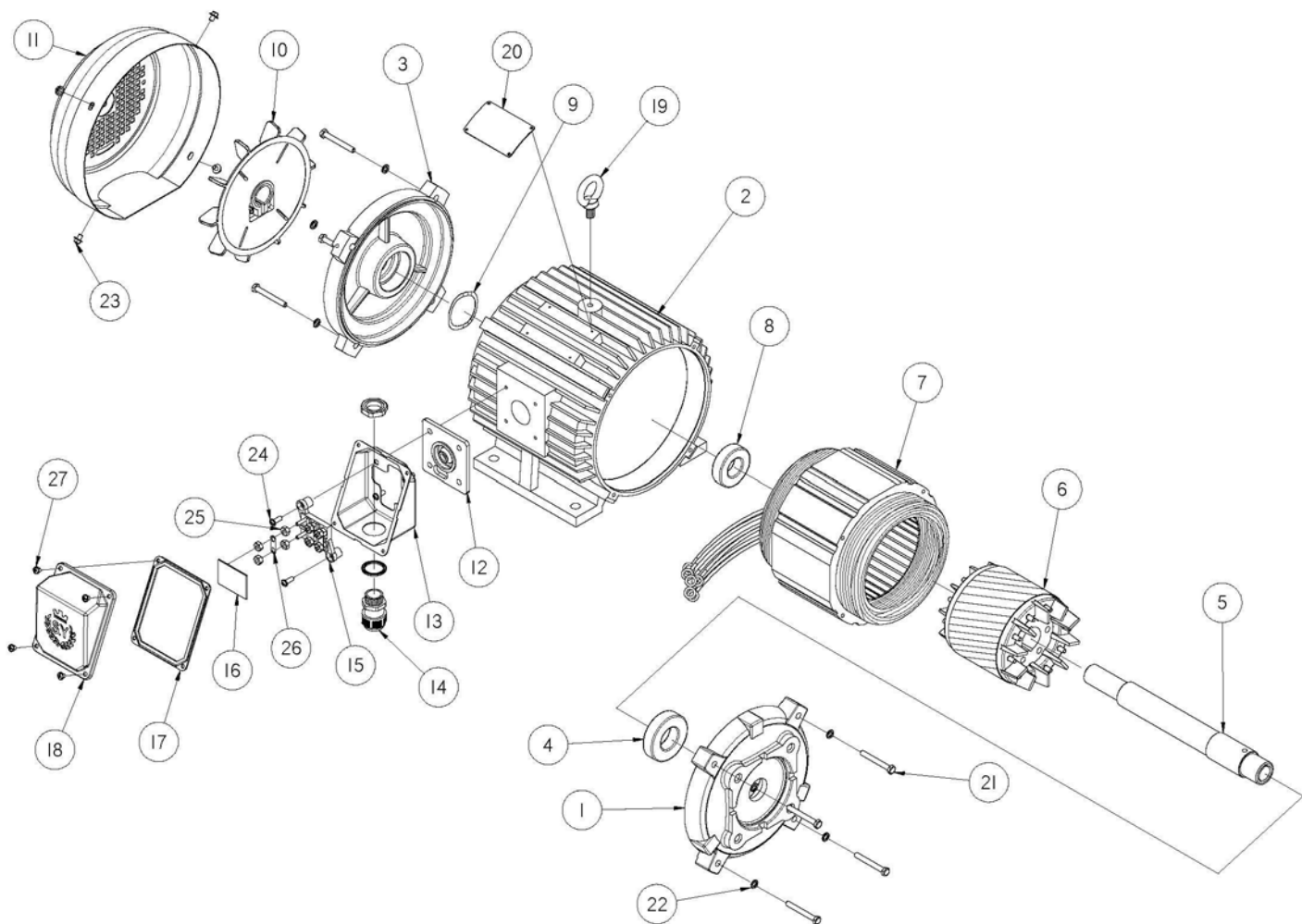




馬達零件分解圖 Assembly drawing



零件明細表 Parts List

項目 Part NO	零件名稱 Description	項目 Part NO	零件名稱 Description	項目 Part NO	零件名稱 Description
No.1	前托架 Bracket-L	No.11	風罩 Fan cover	No.21	六角螺絲 Socket head screws
No.2	框架 Frame	No.12	出線皮 Out line rind	No.22	螺絲墊圈 Screw washer
No.3	後托架 Bracket-F	No.13	出線盒下蓋 Out line box lower cover	No.23	六角螺絲 Socket head screws
No.4	前軸承 Bearing-L	No.14	電線保護器 Bushing head	No.24	十字螺絲 Cross screw
No.5	心軸 Shaft	No.15	接線板 Patch board	No.25	螺絲 Screws
No.6	轉子 Rotor	No.16	接線板護蓋 Patch board cover	No.26	螺帽 Screw nut
No.7	定子 Stator	No.17	出線盒邊條 Out line box side article	No.27	螺絲 Screws
No.8	後軸承 Bearing-F	No.18	出線盒上蓋 Out line box upper cover		
No.9	壓簧 Pre-load spring	No.19	吊環 Flying rings		
No.10	風扇 Fan	No.20	銘牌 Name plate		